

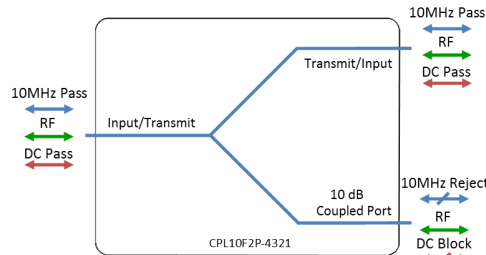


Model Number:
CPL10F2P-4321

RF Components

10dB IF-band Proximity Coupler

50-200 MHz



- DC & 10MHz pass between input & transmit ports.
- The coupled port is DC blocked.

Available with RF connector options:

- 50 Ω SMA
- 50 Ω N-type
- 50 Ω BNC
- 75 Ω BNC
- 75 Ω F-type.

| RF Parameters | | | | | | |
|---|--------------|------------|-----------|-----------|------------|----------|
| CPL10F2P-4321-xxxxxx | S5S5S5 | N5N5N5 | B5B5B5 | B7B7B7 | F7F7F7 | |
| Frequency Range | 50 – 200 MHz | | | | | |
| RF Connectors | 50Ω SMA | 50Ω N-Type | 50Ω BNC | 75Ω BNC | 75Ω F-Type | |
| Through Path : - - - - | | | | | | |
| Mean Insertion Loss (dB) | 1.6 ± 0.2 | 1.6 ± 0.2 | 1.8 ± 0.3 | 1.8 ± 0.3 | 1.8 ± 0.3 | |
| Flatness ± (dB) | 0.2 | 0.2 | 0.4 | 1.0 | 1.0 | |
| Input Return Loss (dB) | Typ | 18 | 18 | 16 | 12 | 12 |
| | Min | 14 | 14 | 12 | 8 | 8 |
| Output Return Loss (dB) | Typ | 18 | 18 | 16 | 12 | 12 |
| | Min | 14 | 14 | 12 | 8 | 8 |
| Coupled Port : - - - - | | | | | | |
| Coupling Factor | Typ | 10 ± 0.5 | 10 ± 0.5 | 10 ± 0.8 | 10 ± 1.0 | 10 ± 1.0 |
| Flatness ± (dB) | Typ | 0.2 | 0.2 | 0.3 | 0.4 | 0.4 |
| Return Loss (dB) | Typ | 10 | 10 | 10 | 10 | 10 |
| 10MHz Insertion Loss is up to 3dB above the theoretical loss* 10MHz Rejection is 20dB* *To ports which are applicable | | | | | | |

Broadcast



Marine Oil & Gas



SNG & VSAT



Satellite Teleport





RF Components

Model Number:
CPL10F2P-4321
 10dB IF-band Proximity Coupler

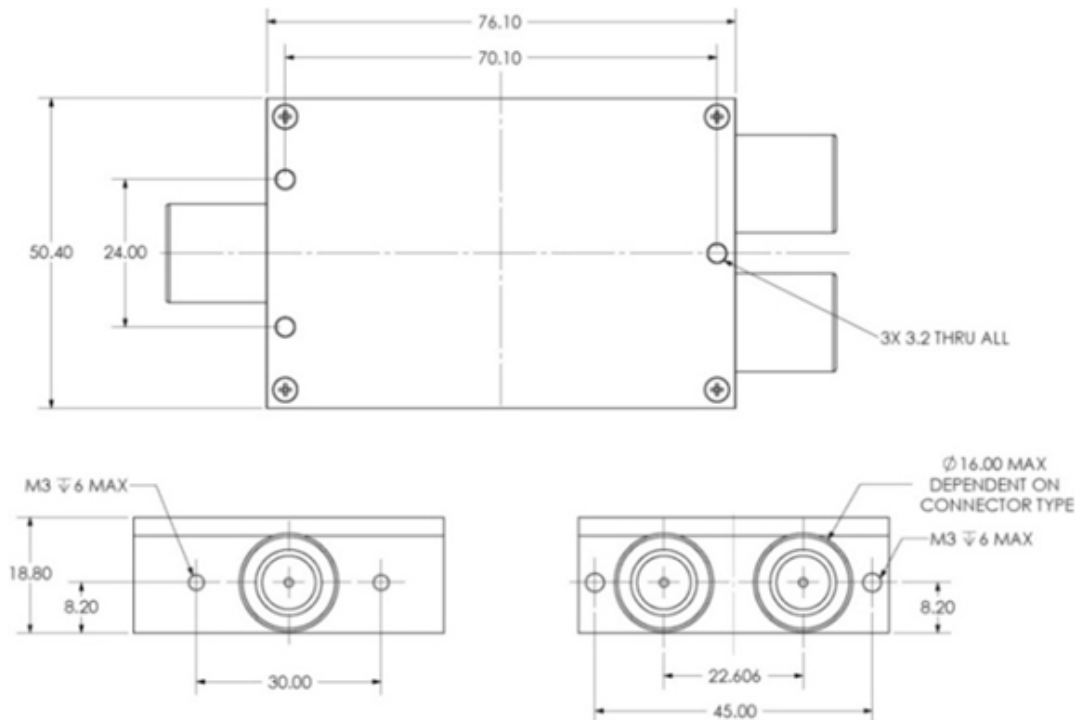
Technical specifications and operating parameters

| Environmental | | |
|-----------------------|-----|--------------------|
| Operating Temperature | | 0°C to +45°C |
| Storage Temperature | | -20°C to +75°C |
| Location | | Indoor use Only |
| Humidity | Max | 85% non-condensing |
| Altitude | Max | 10,000 feet |

| Max Operating Parameters | |
|--------------------------|--------------------|
| Input RF Power | +16 dBm (40mW) |
| DC Voltage | 35V on any RF port |

! Operation beyond these limits may cause instantaneous and permanent damage.

Physical Dimensions (mm)



Note: The specification is subject to regular reviews and will be updated from time to time as part of our continuing product development and improved specification accuracy.

ETL SYSTEMS LIMITED
 Coldwell Radio Station
 Madley
 Hereford
 England HR2 9NE

TELEPHONE
 +44 (0)1981 259020

 EMAIL
 info@etlsystems.com

FACSIMILE
 +44 (0)1981 259021

 WEB
 www.etlsystems.com

